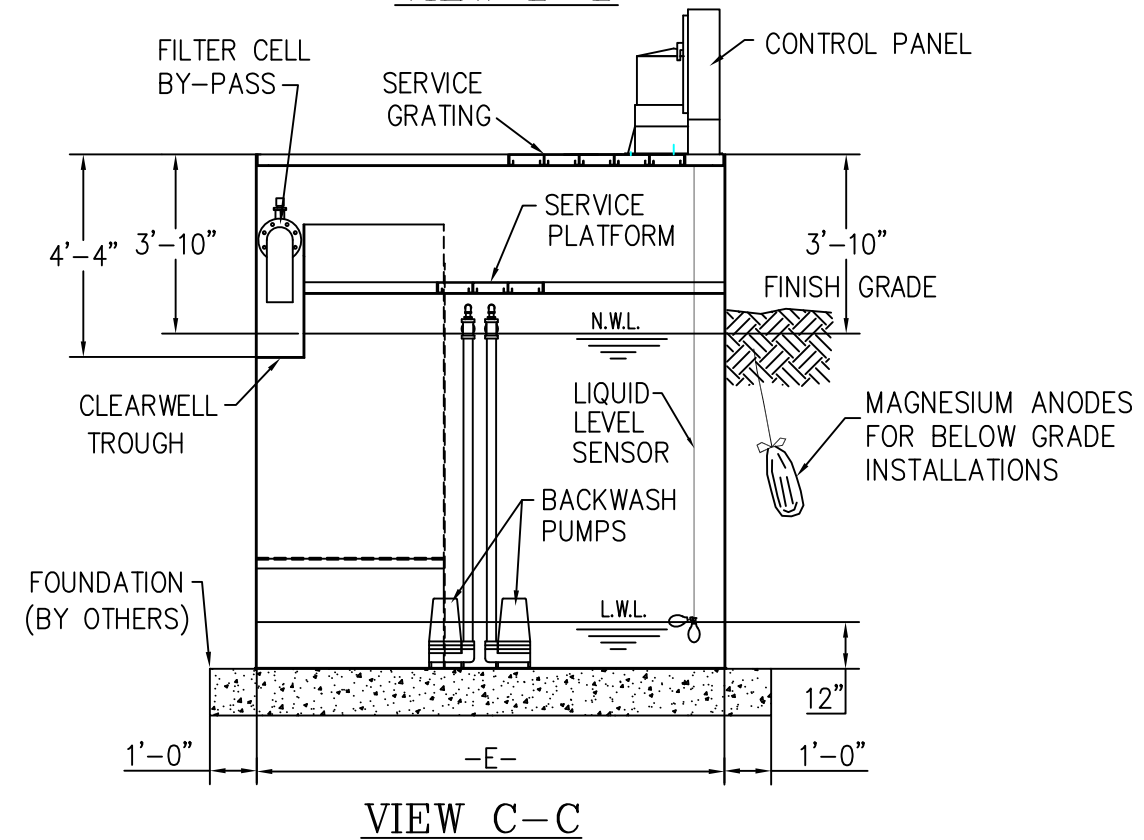
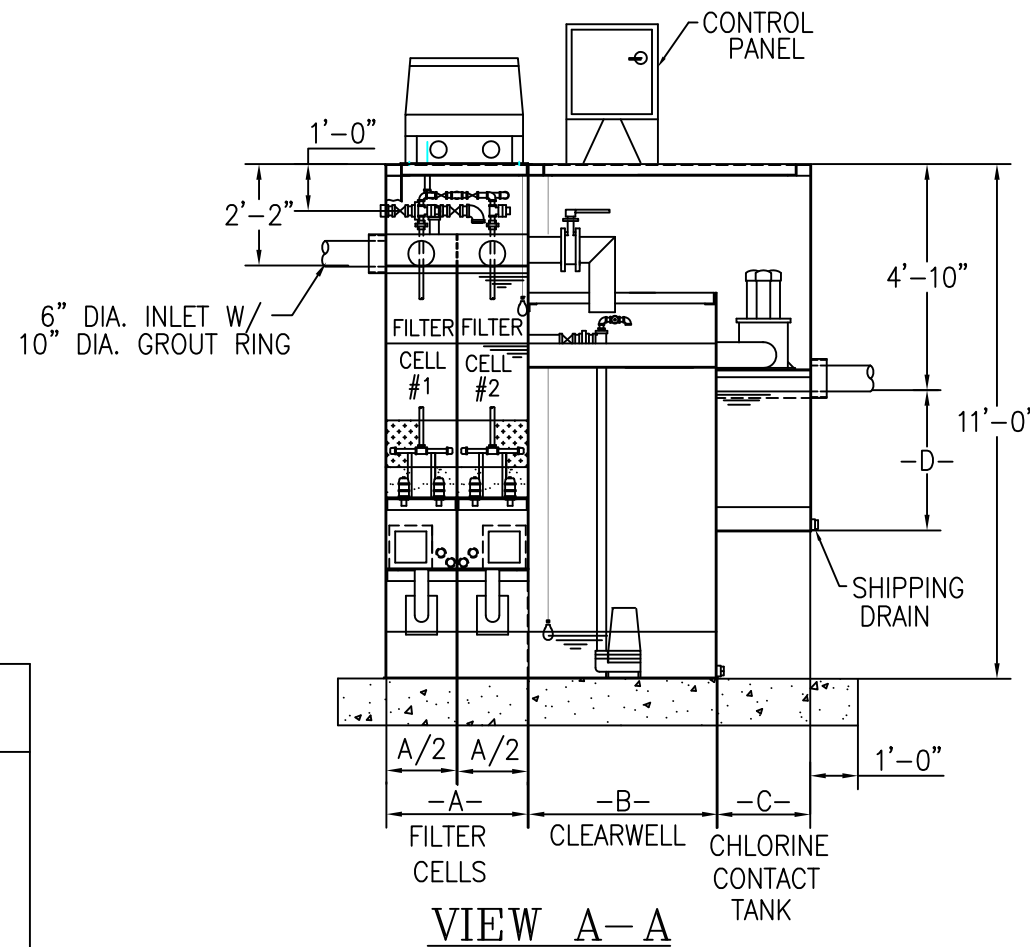
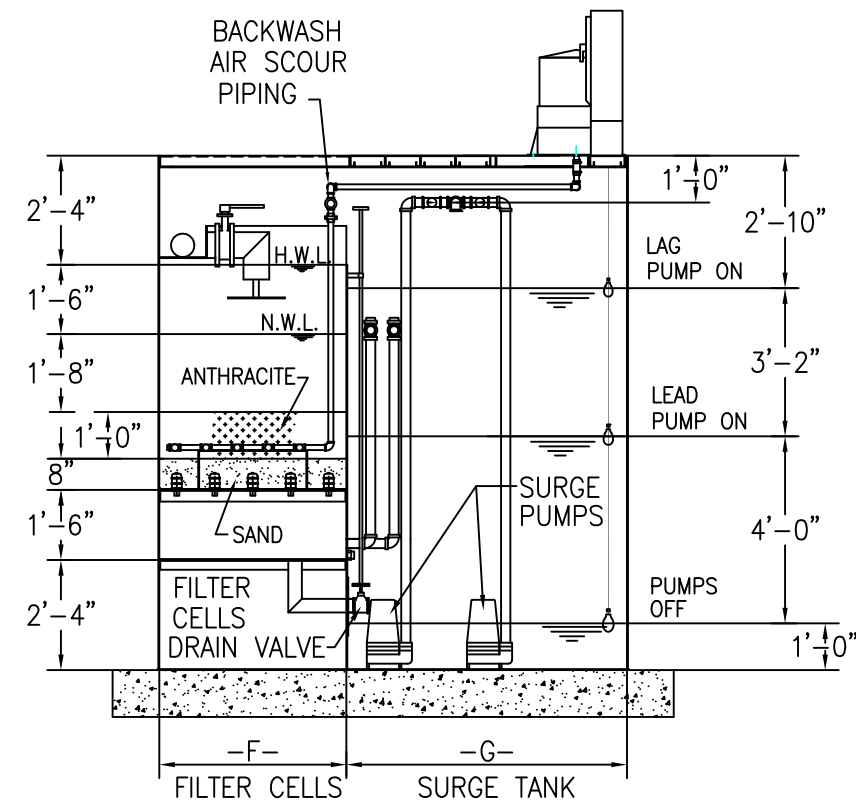
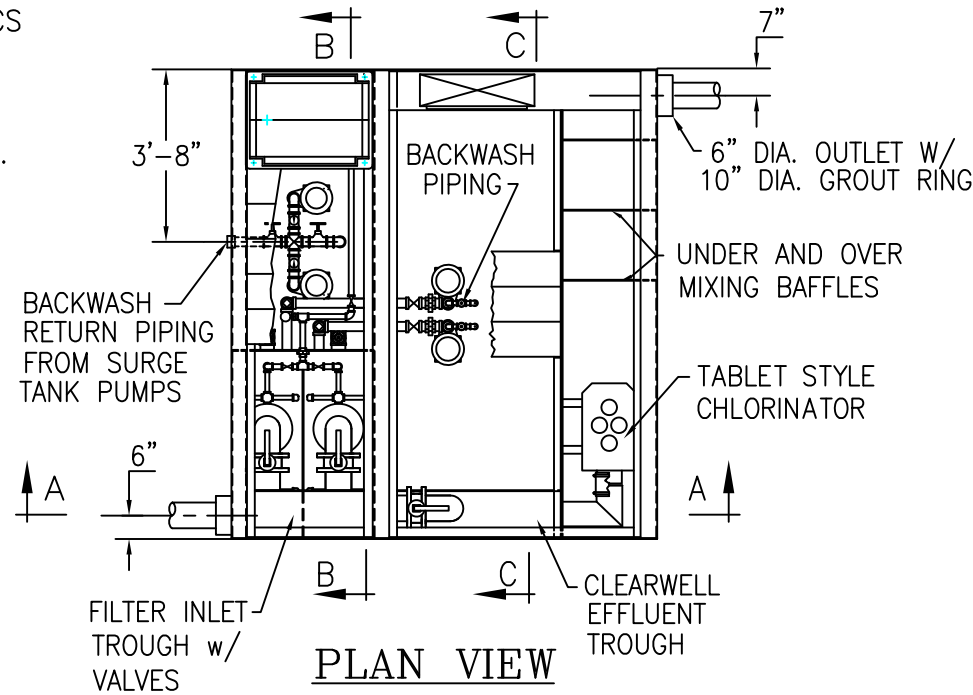


NOTES:

- 1) ALL EXTERNAL TANK PIPING IS NOT SUPPLIED BY PCS
- 2) ACCESS LADDERS AND HANDRAILS ARE OPTIONAL
- 3) INCOMING ELECTRICAL POWER SUPPLY AND THE CONNECTION TO THE CONTROL PANEL IS BY OTHERS.
- 4.) FOUNDATION PAD DESIGN IS DETERMINED BY THE PROJECT ENGINEER AFTER PROJECT SITE SOIL ANALYSIS IS COMPLETED



OPTIONAL EQUIPMENT- MATERIALS -TANKAGE	
FULL TANK GRATING	GALVANIZED PIPING
BAR TYPE GRATING	DE-CHLORINATION
HANDRAILS/ TOEPLATES	GAS CHLORINATION
LADDERS/ STAIRWAYS	U V DISINFECTION
ANCHOR BRK'TS	NEMA 4X PANEL
MAGNESIUM ANODES	REMOTE MOUNTED BLOWERS & CONTROLS
EPOXY PAINT SYSTEM	

DESIGN FLOW: MAXIMUM _____ GPD

TERTIARY FILTER MODEL NO.	AREA IN SQ. FT.		CHAMBER VOLUME IN GAL.		
	FILTER CELL NO. 1	FILTER CELL NO. 2	CLEARWELL	SURGE	CHLORINE CONTACT
TF-2- -C					

REV.	DATE	DESCRIPTION	APPROV.
12/17/18		ADDED VAVES TO FILTER DRAINS	JJM
11/19/14		UPDATED BLOWERS AND ADDED INLET-BYPASS VALVES	CRM

PCS Pollution Control Systems, Inc.
 5827 Happy Hollow Ln, Suite 1B
 Milford, Ohio 45150
 (513) 831-1165
 E-mail PolConSys@aol.com

PREFABRICATED TERTIARY FILTER SYSTEM			
SCALE: NTS	QUOTE NO.	PROJECT NO.	
DRAWN BY: JJM	DATE: 7-21-98	SHEET	DRAWING NO.
CHECKED BY: JJM	DATE: 7-21-98	1 OF 1	PF-2-C

THIS DRAWING CONTAINS INFORMATION THAT IS PROPRIETARY TO POLLUTION CONTROL SYSTEMS AND IS NOT TO BE USED WITHOUT PERMISSION OF POLLUTION CONTROL SYSTEMS